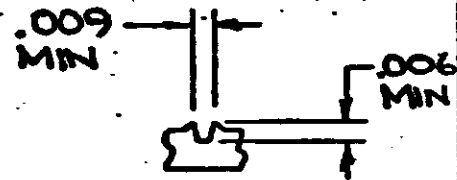
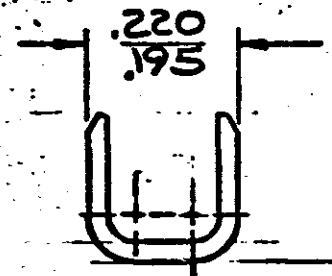
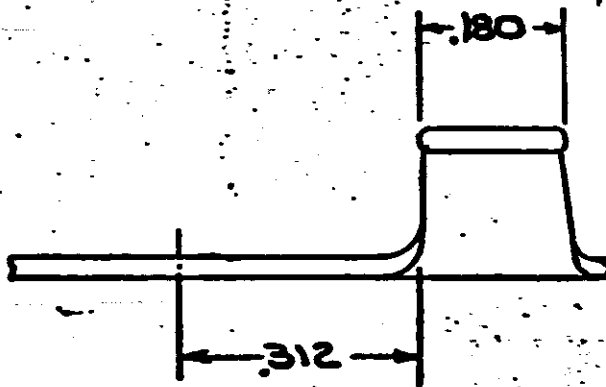
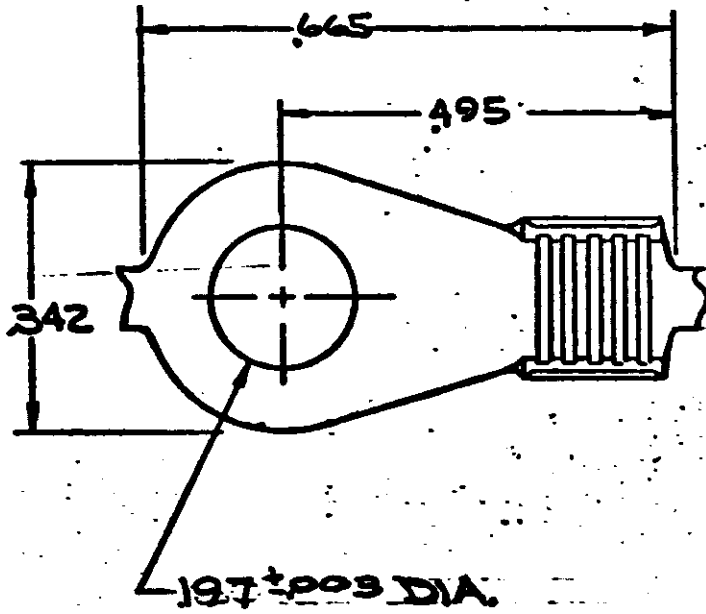


NUMBER
640212

S



CONTINUOUS STRIP, ON REELS

PART NO.
640212-1

SERRATION DETAIL
SCALE 8:1
APPLIES ONLY AT STRAIGHT
PORTION ON SIDES OF
BARREL

UNPUBLISHED COPY NOT TO BE
REPRODUCED NOR PUBLISHED
WITHOUT WRITTEN PERMISSION
OF AMP INCORPORATED.

DIMENSIONS IN INCHES. DO NOT SCALE PRINT.

©1975 BY AMP INCORPORATED. ALL RIGHTS RESERVED. AMP PRODUCTS COVERED BY PATENTS AND/OR PATENTS PENDING.

CUSTOMER COPY
REFERENCE ONLY

MATERIAL AND FINISH
.025 BRASS



AMP INCORPORATED
HARRISBURG, PENNA.

TIN

CLASS

B
A
A

WIRE RANGE INSULATION
13-11 1 4

TYPE

LTR REVISION RECORD ECN DR DATE
DR G YETTER 4-25-75 DE J.P. 5-8-75

TOLERANCE EXCEPT AS NOTED
= .015 = 1° 0'

LOC AF NO 640212 REV B

CHK APP

NAME RING, AMPLIVAR